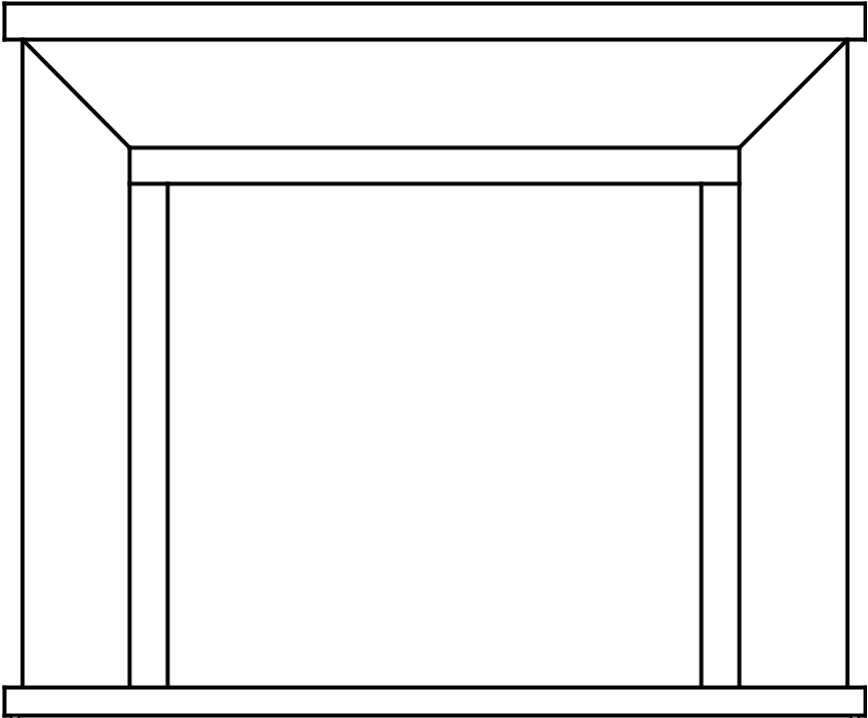


Installation and Users Instructions

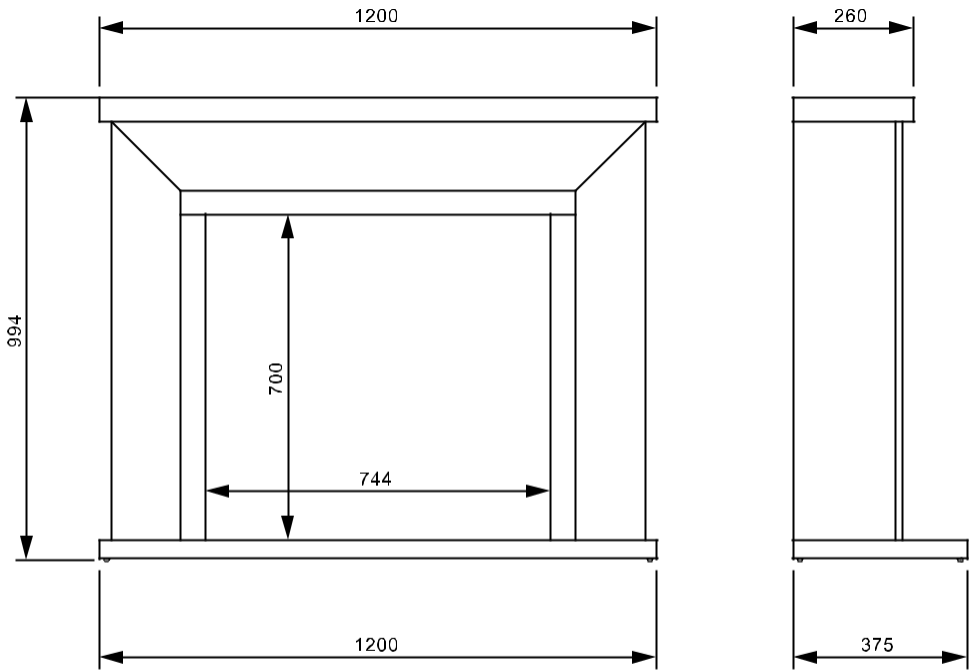


Dallas / Ohio Fireplace Mantel

**PLEASE READ THIS MANUAL BEFORE INSTALLING AND USING THE
APPLIANCE. INSTALLER: DO NOT DISCARD THIS MANUAL – LEAVE WITH THE
CUSTOMER SAVE THESE INSTRUCTIONS FOR FUTURE REFERENCE.**

SECTION 1 DIMENSIONS

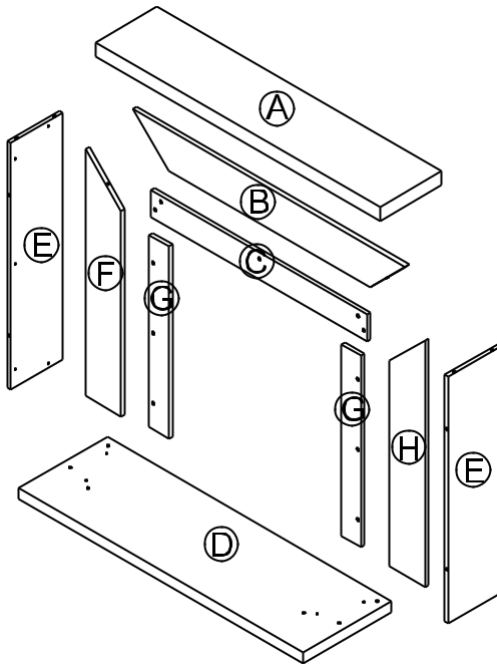
Dimensions in mm



SECTION 2 ASSEMBLY AND INSTALLATION

2.1 Unpack

- Open the package carefully and remove all pieces. Carefully inspect each part for any damage before you begin assembly.
- Make sure that you have all the parts listed below before assembling.



No.	Name	Quantity
A	Top panel	1
B	Front top panel	1
C	Second top panel	1
D	Base panel	1
E	Side panel	2
F	Left front panel	1
G	Front support panel	2
H	Right front panel	1
I	M6x12 screws	37
J	M6x28 screws	12
K	Ø8x30 dowels	17
L	Flat bracket	3
M	Small bracket	17
N	Washers	12
O	Rubber feet	6

NOTE: left and right of product are distinguished by its front view.

2.2 Before installation

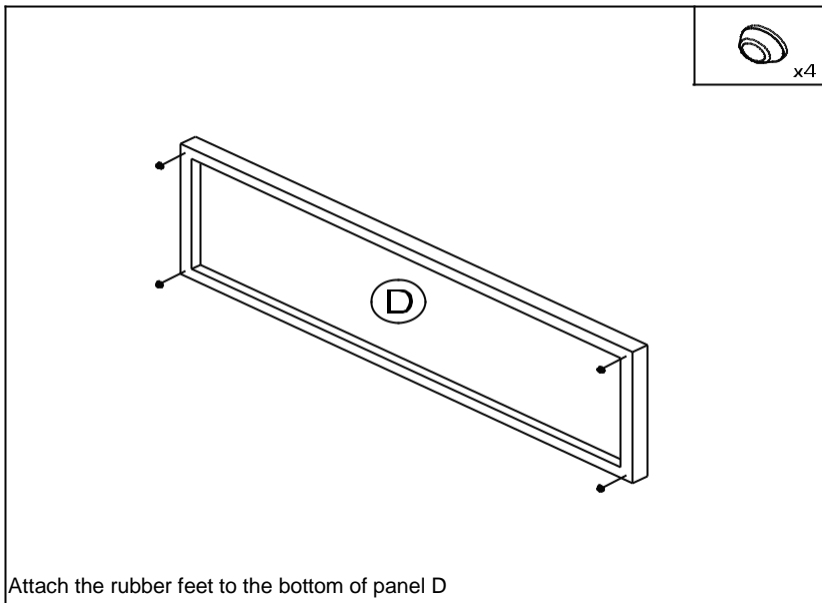
Tools required: magnetic phillips screwdriver 

2.3 Installation

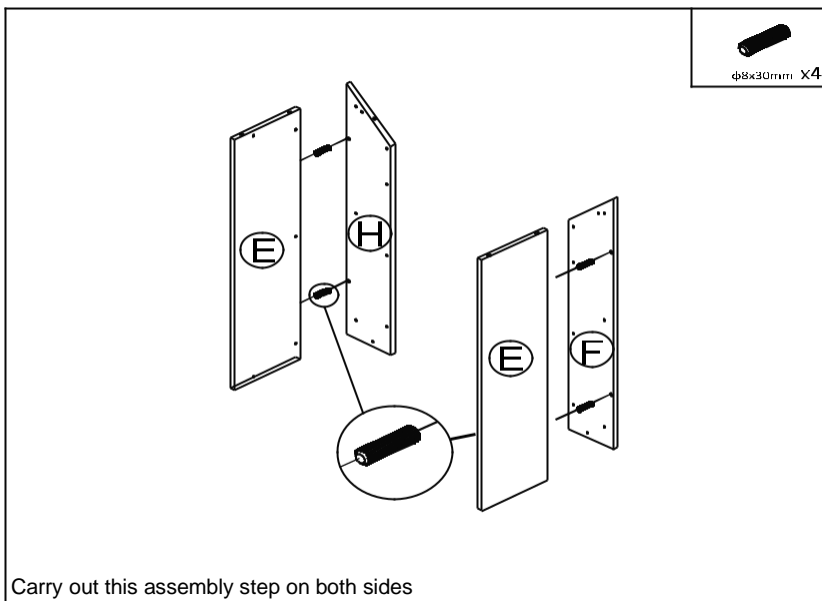
NOTE!

- Assembly required by two adults.
- This fireplace suite must be fitted to the wall. Wall fixings are supplied with this mantel, but any other suitable concealed fixing may be used.
- Use manual screwdriver only.
- Use washer when fixing with screws. Do not overtighten bolts.
- Do not use other types or models of screws, to prevent any screws that are too long causing damage to mantels.
- To prevent scratching the mantel, only fit the fire from the back of the fireplace.

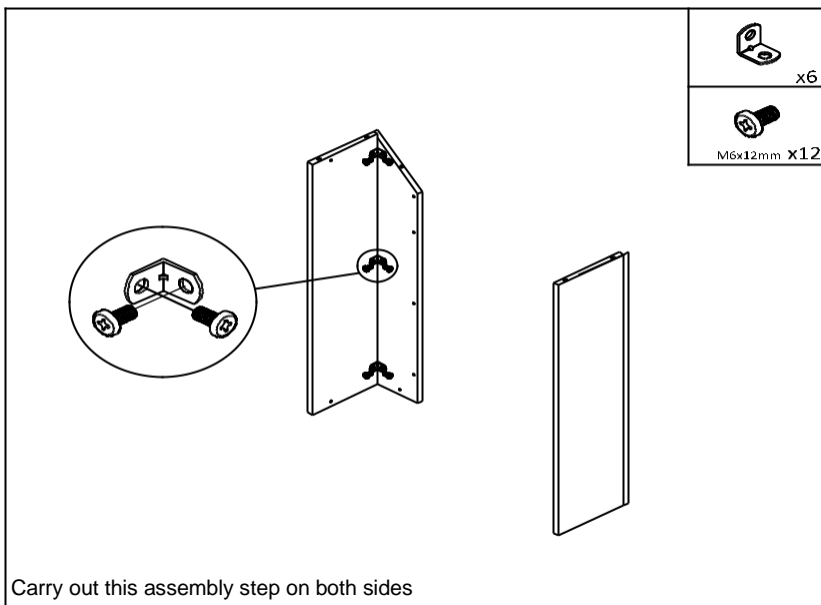
Step 1:



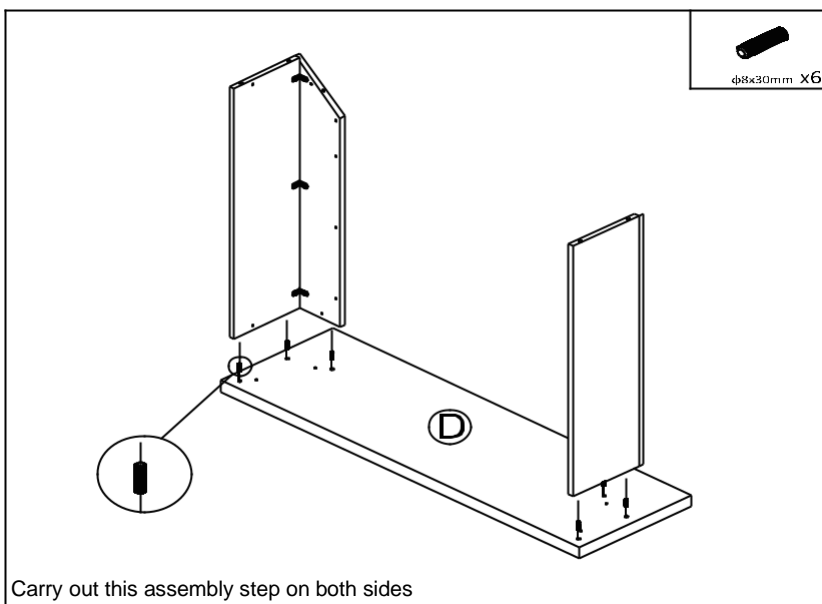
Step 2:



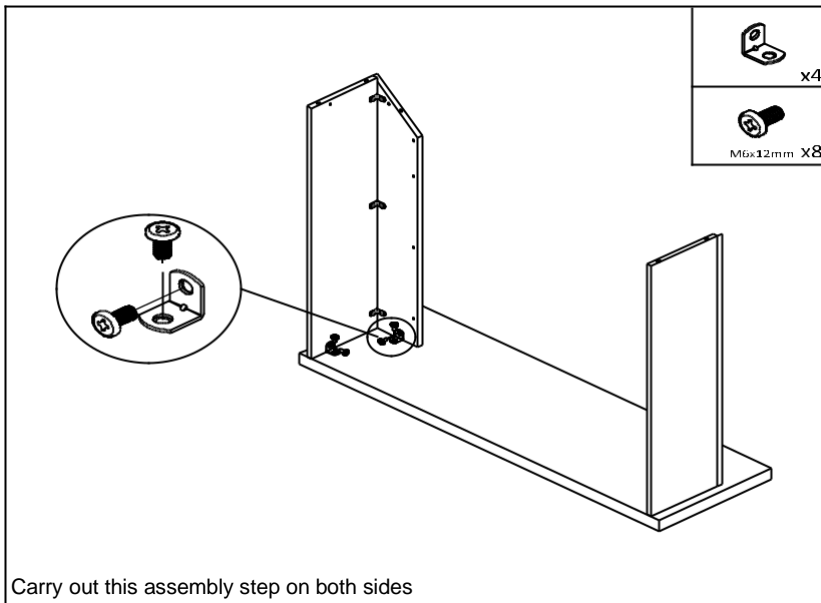
Step 3:



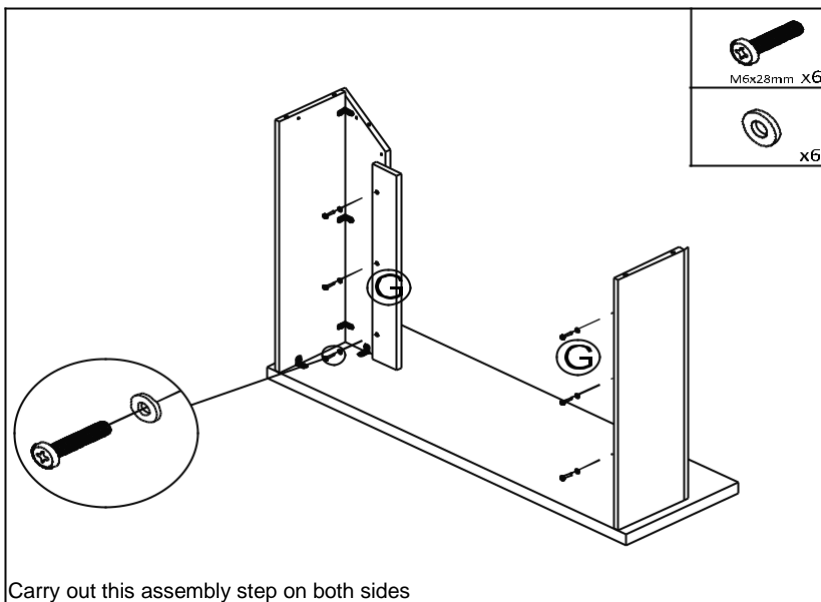
Step 4:



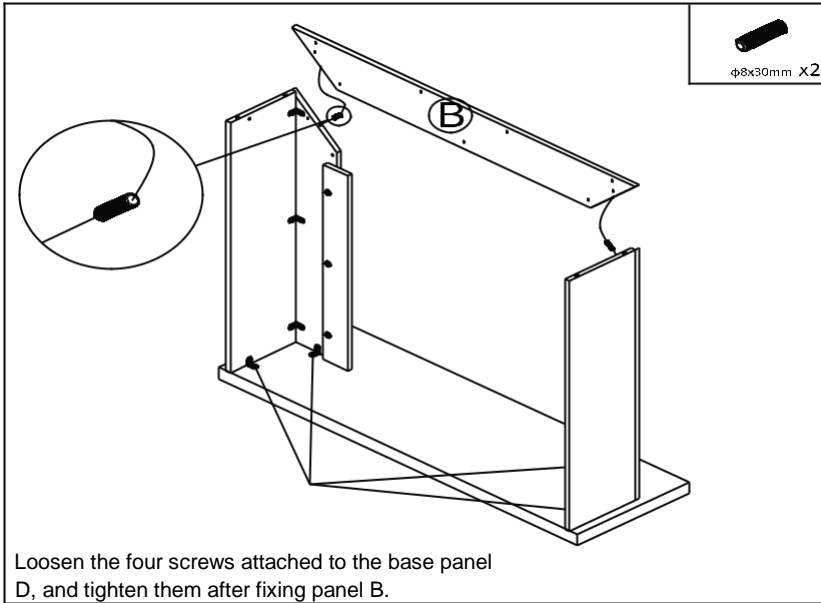
Step 5:



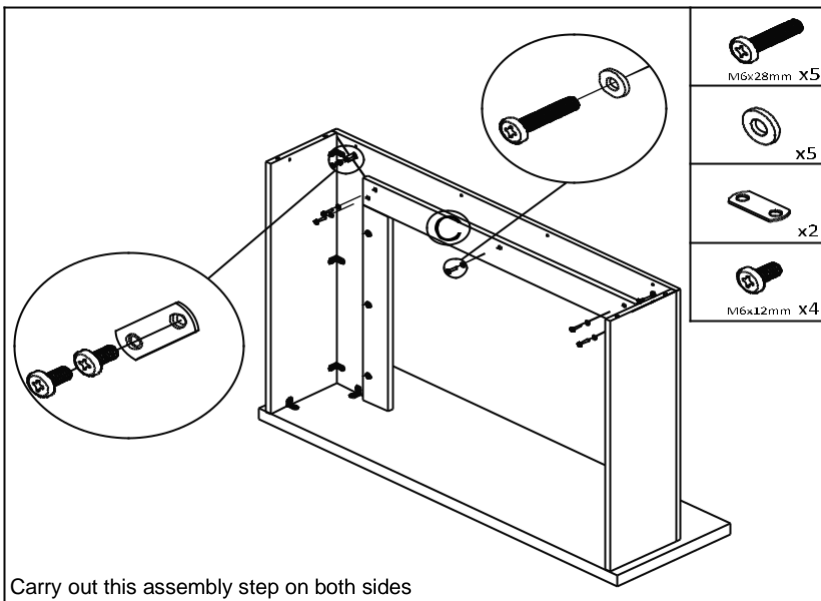
Step 6:



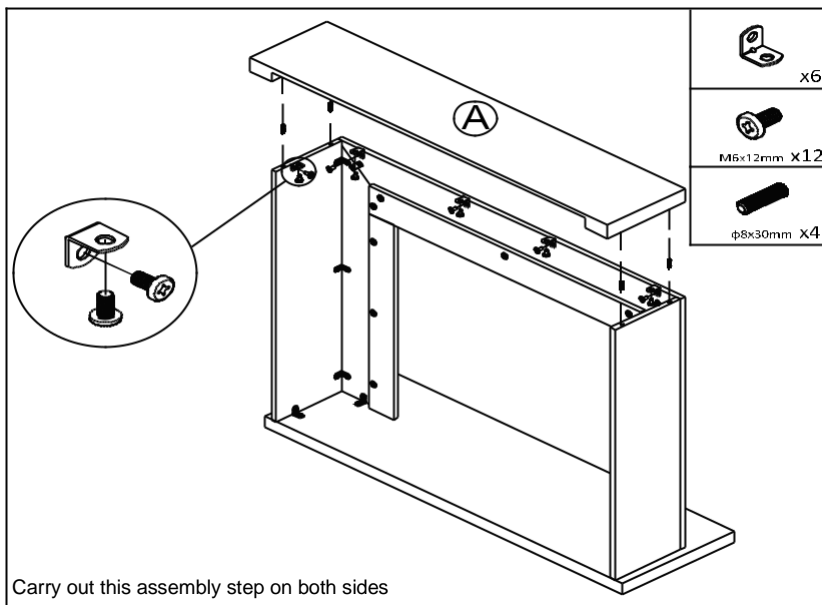
Step 7:



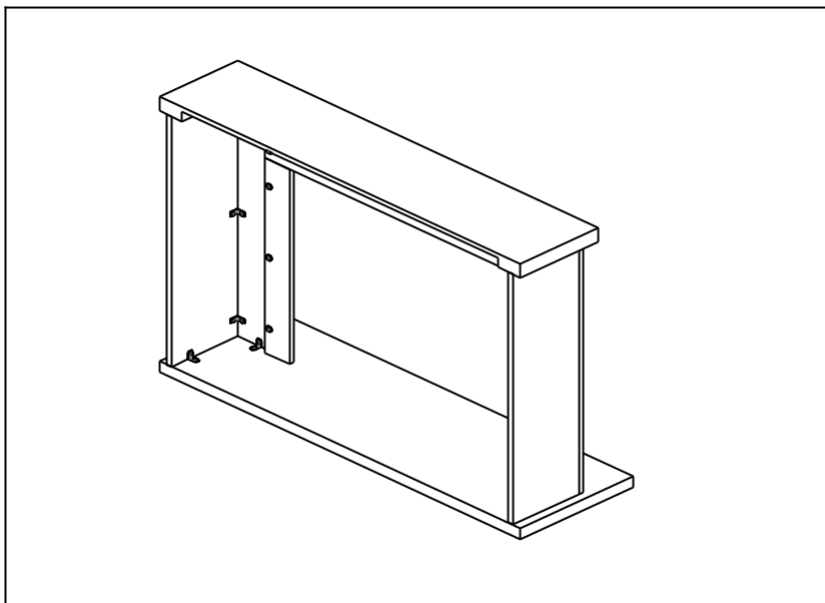
Step 8:



Step 9:



Step 10:



SECTION 3 CLEANING & MAINTAINENCE

Your mantel surface coating will give off a slight odour for a brief inital period. Try to ventilate as much as possible during this time.

Daily cleaning:

- Clean the mantel surfaces with a soft, lint-free cloth.
- Do not use cleaning or polishing products

Avoid

- Long-term direct sunlight.
- Excessive temperatures and humidity to protect the life of your furniture surface
- Do not put heavy or sharp objects on this mantel

